

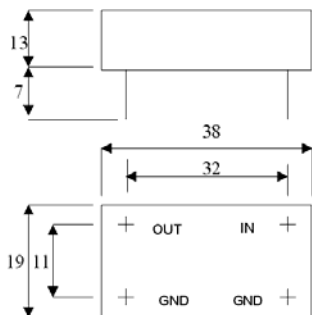


Specification

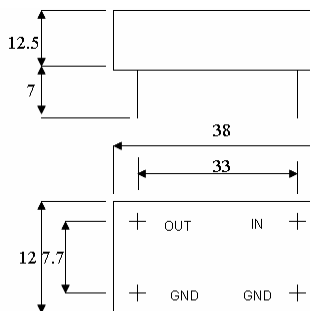
Crystal Filter 21.4MHz

P/N: 21M10C50

Parameter	Unit	Minimum	Typical	Maximum
Cent Center Frequency	MHz		21.4	
Insertion Loss	dB		3.0	
-3 dBc Bandwidth	KHz		10	
-40dBc Bandwidth	KHz		30	
Attenuation	dB		70	
Passband variation	dB		1.0	
Impetance	Ohm		50	
Operation Temperature	°C	-20~75		
Package Size	38x19x13mm or 38x12x12.5			



Remark: 1 Unit: mm
2 Lead diameter: 0.8mm



Remark: 1 Unit: mm
2 Lead diameter: 0.8mm